

Features and Benefits

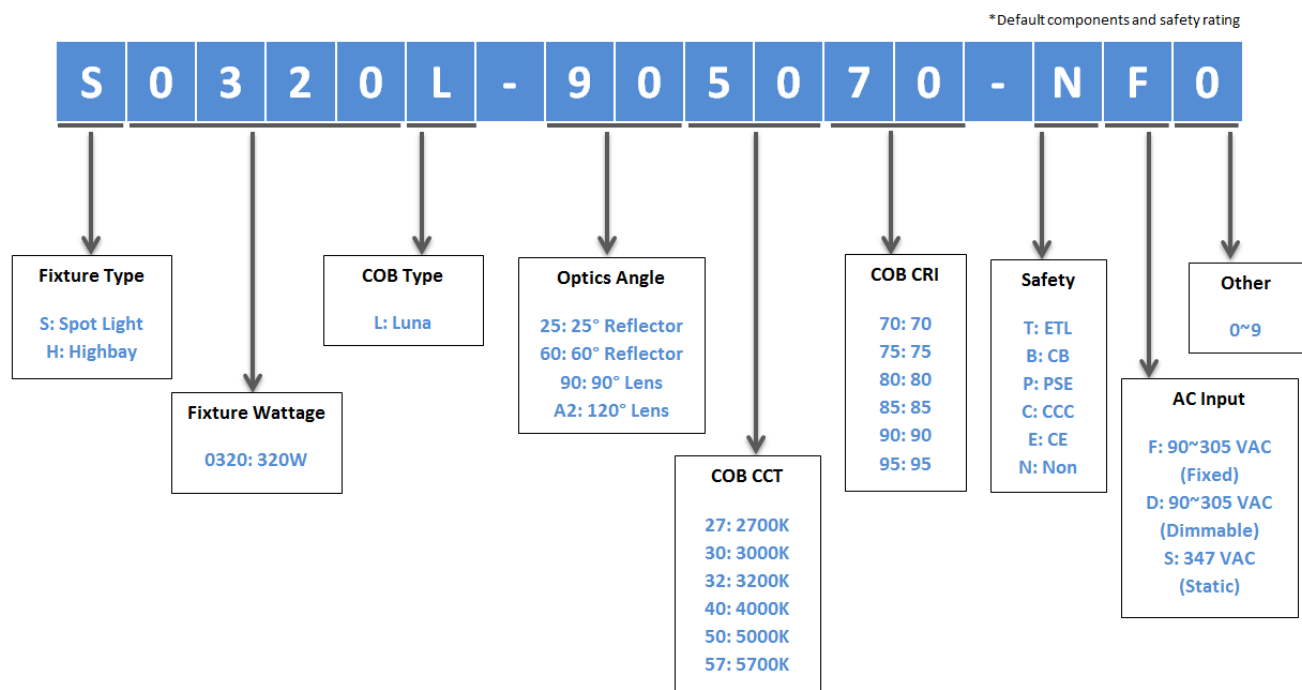
- Cold forged heatsink core with patented Forging Fit Technology capable of passively cooling up to 320W
- Adjustable angle bracket with a 270° allowable swivel, adaptable to various masts and poles
- Compliant with Mean Well 320W PSU
- Equipped with a 90° beam angle lens with a sealed waterproof design
- Record high total light flux and efficiency of a single light source: Flip Chip Opto Luna 300W COB
- Durable surface finish to protect against corrosion and withstand harsh weathering




Powered By **FLIP CHIP OPTO**



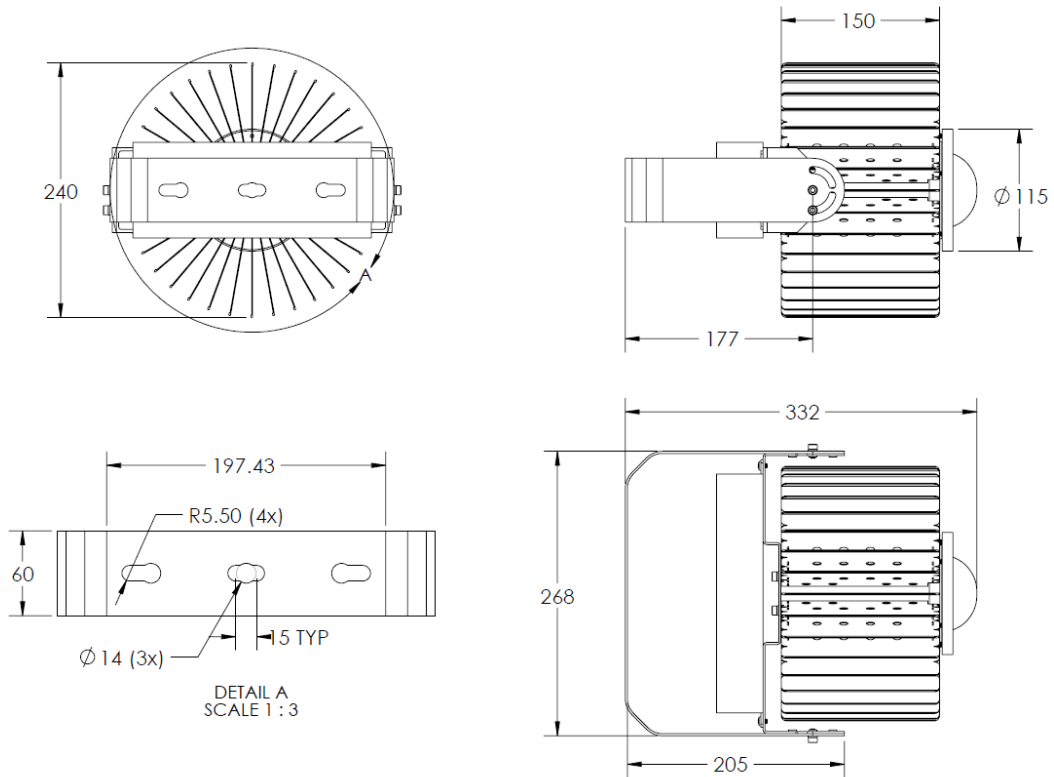
Product Specifications



Product Parameters

Mechanical Specifications:			
Dimensions		268 x 240 x 332 mm (10.6" x 9.5" x 13.1")	
Weight		14.4 lbs. (6.5 kg)	
Material	Heatsink Core		Al 1070
	Fins		Al 1050
	Lens		Tempered Glass
	Brackets		Iron / 304 SS
Surface Finish	Part	Process	Color Options
	Heatsink	Electrophoretic Deposition (EPD)	Black
	Brackets	Powder Coating	Black
	Reflector	Anodizing / Powder Coating	Silver / Black
Electrical Specifications:			
Input Voltage Range		90 - 305 VAC	
Drive Current		6.7 A	
Output Voltage		48 VDC	
Power Factor		0.98 @ 115 VAC	
Operation Temperature		-40°C to 70°C (-40°F to 158°F)	
Optical Specifications:			
Light Source		Flip Chip Opto "Luna 300W" COB	
Luminous Flux		32778 lm @ CCT: 5000K, CRI: 70 31794 lm @ CCT: 4000K, CRI: 70 28844 lm @ CCT: 3000K, CRI: 80	
Light Efficacy		107.5 lm/W @ CCT: 5000K, CRI: 70 104.3 lm/W @ CCT: 4000K, CRI: 70 94.6 lm/W @ CCT: 3000K, CRI: 80	
CRI		70 – 95+	
CCT		3,000K / 4,000K / 5,000K	
Light Color		Warm White / Neutral White / Cool White	
Rating Specifications:			
Protection Rating		IP 65 (IP67 for optional PSU model)	
Lifespan		50,000 Hours	
Warranty		5 Years	
Certifications			

Mechanical Dimensions



*All dimensions are in mm

Optional Components



25° Reflector



60° Reflector



120° Lens



Hook Mount

Highbay Bracket Assembly – B0320L

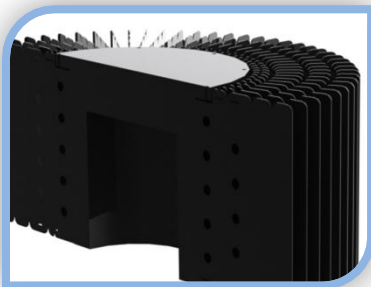
*For additional information regarding optical components, contact Starlite sales

Fixture Breakdown



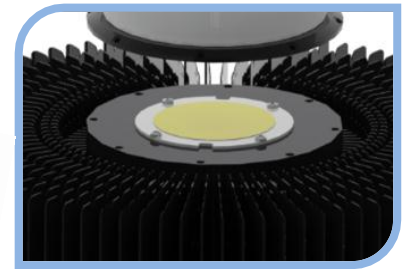
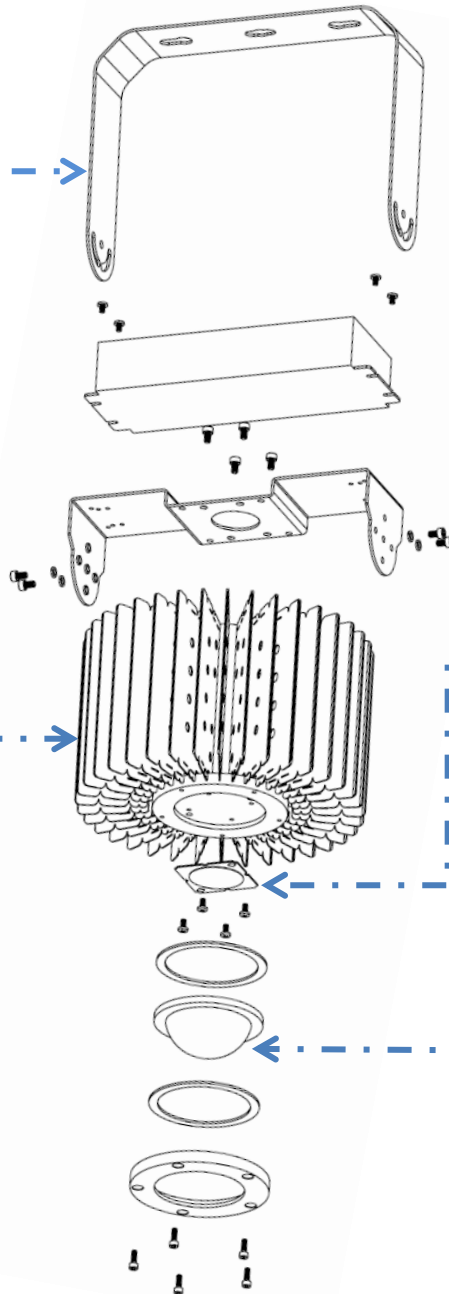
Mounting Bracket

Stamped iron mounting brackets allow for quick orientation positioning and adaptability for tower/wall mounting and mobile/stationary units.



Heatsink Forging Fit Design

Comprised of a pure aluminum column, the unibody cold forged heatsink utilizes patented forging fit technology for fin insertion and allowing maximum thermal heat dissipation.



Surface Finish

Consisting of an Electrophoretic Deposition (EPD) finish, the film coating provides uniform thickness and strong adhesion to protect against corrosion and mechanical stress.

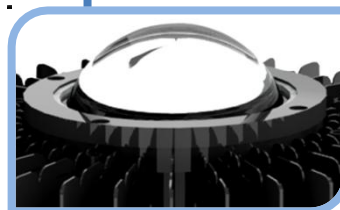


Luna 300W COB

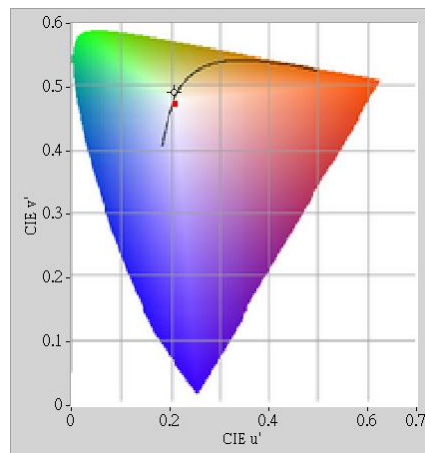
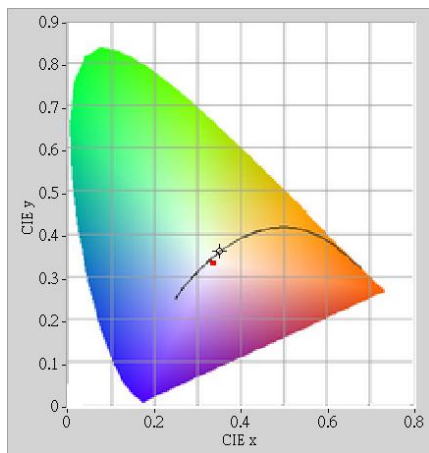
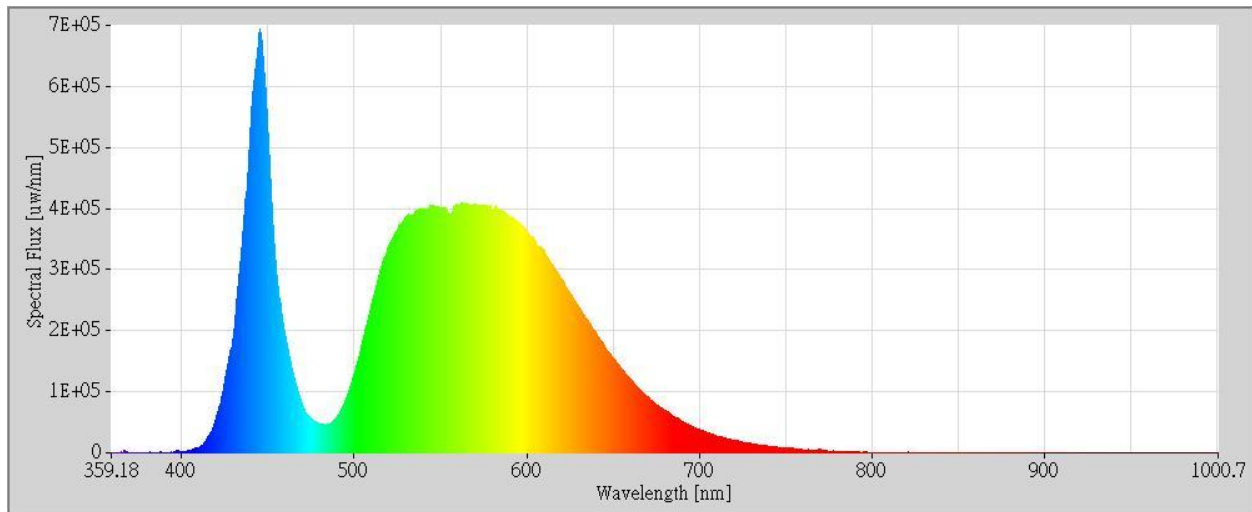
The single light source COB from Flip Chip Opto uses their proprietary low temperature bonding technology achieving a low thermal resistance of $0.1 \text{ C}^\circ/\text{W}$. For detailed specs: <http://www.fcopto.com/luna-series/>

Optical Lens + Sealed Design

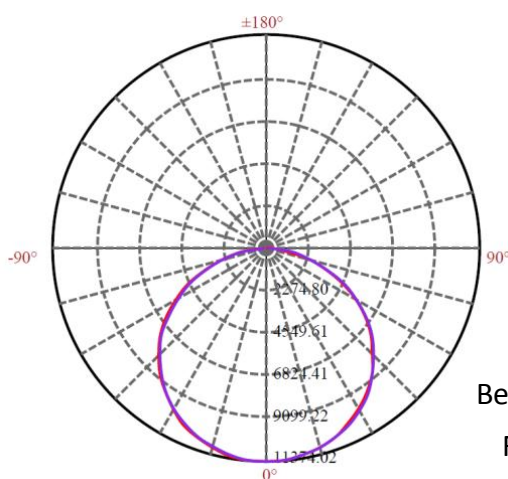
The lens assembly contains a domed glass lens with a high transparency rate for minimal obstruction of the lumen output. The sealing gasket achieves the protection rating of IP65/66 to protect against different environmental conditions.



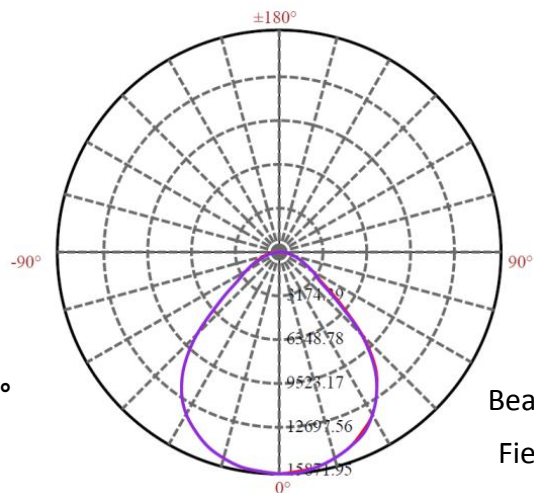
Photometric Performance



Polar Luminous Intensity Distribution

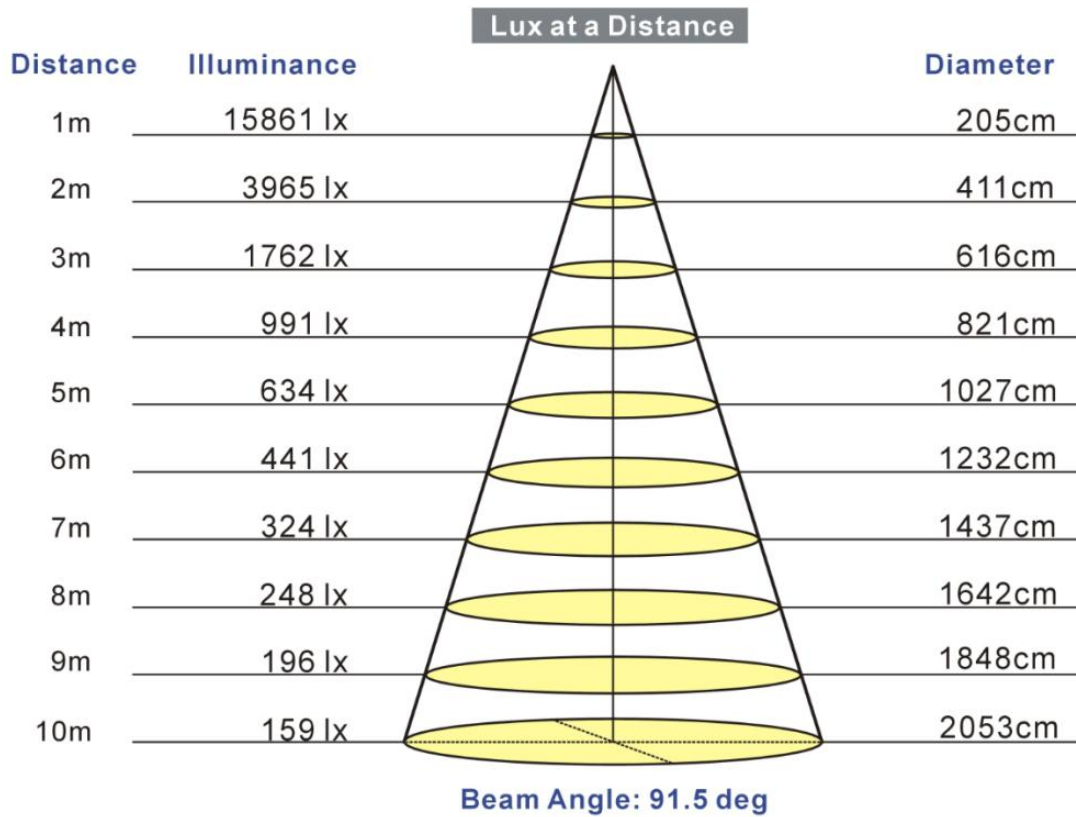


No Lens
 Beam Angle: 118.57°
 Field Angle: 162°

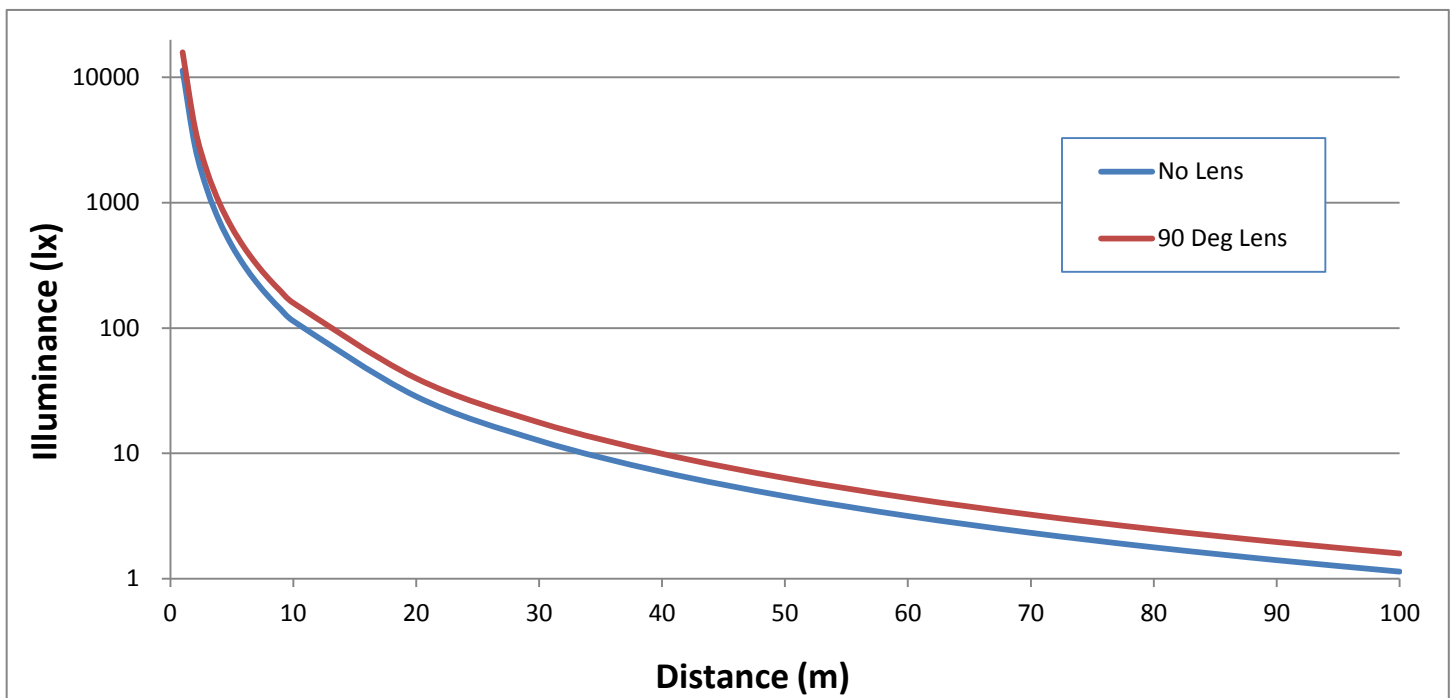


90° Lens
 Beam Angle: 91.5°
 Field Angle: 139°

Illuminance Cone Diagram

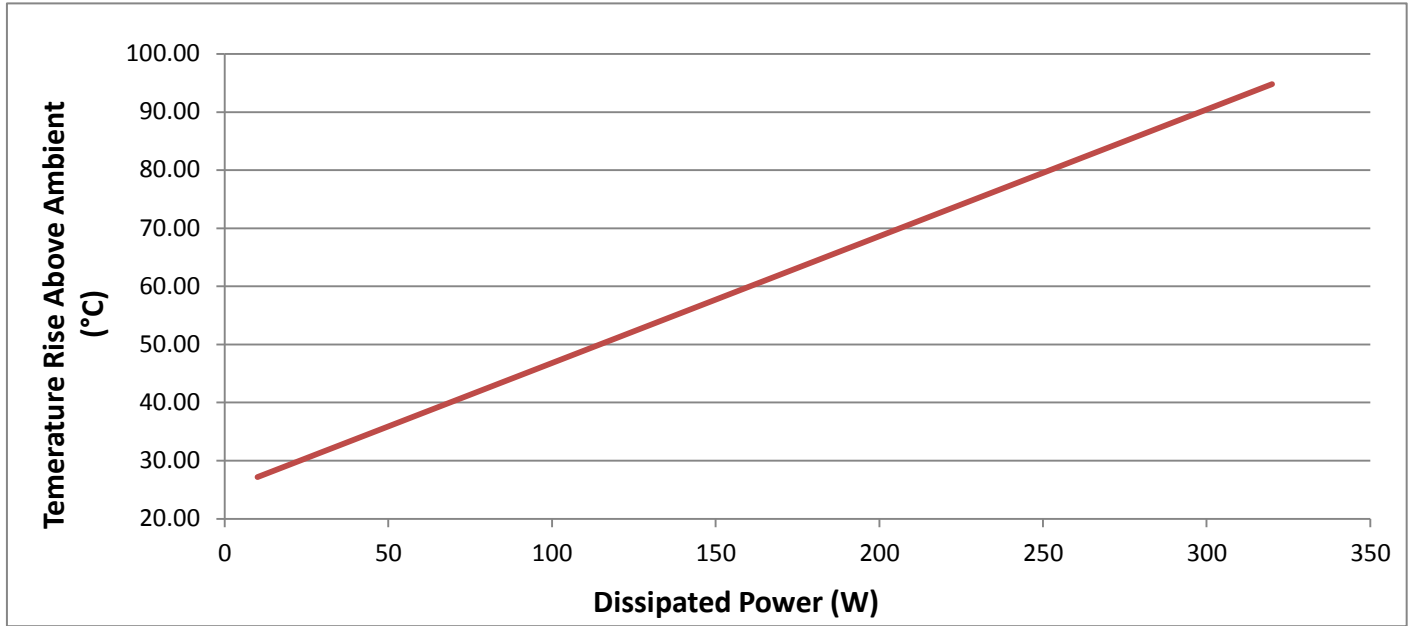


Illuminance vs. Distance



Thermal Performance

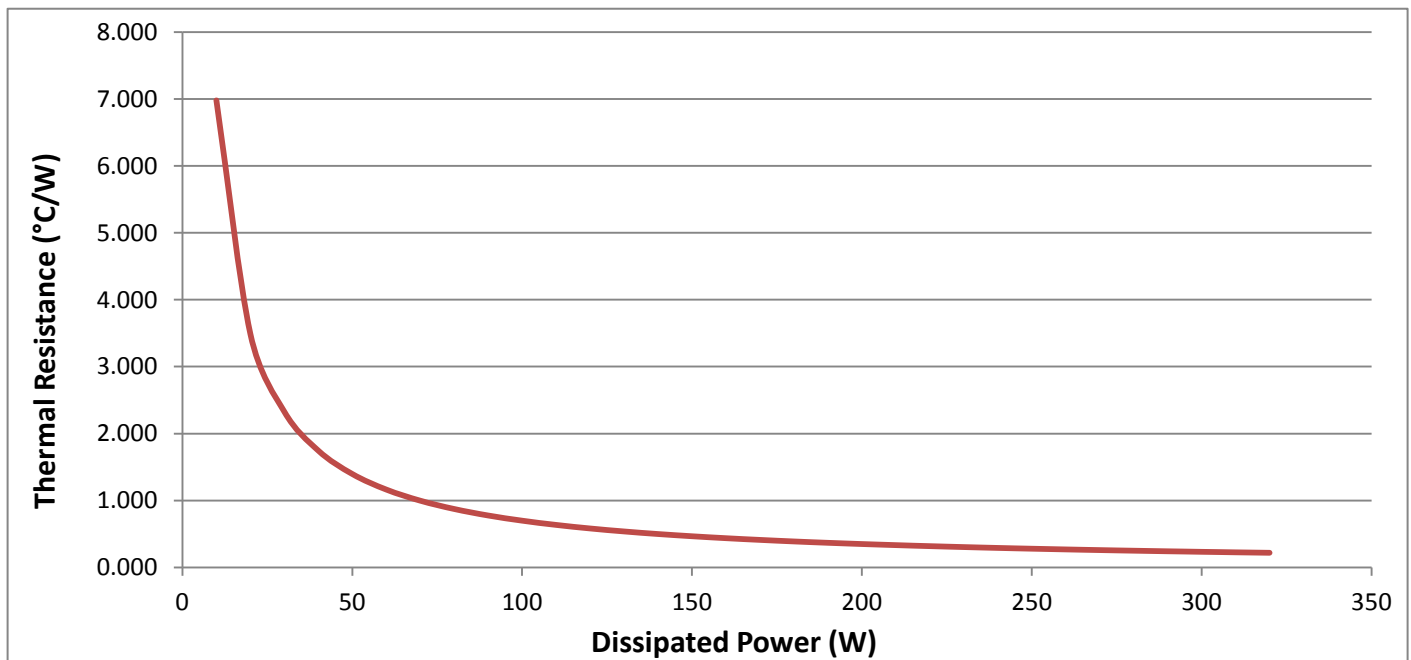
Temp Rise Above Ambient vs. Dissipated Power



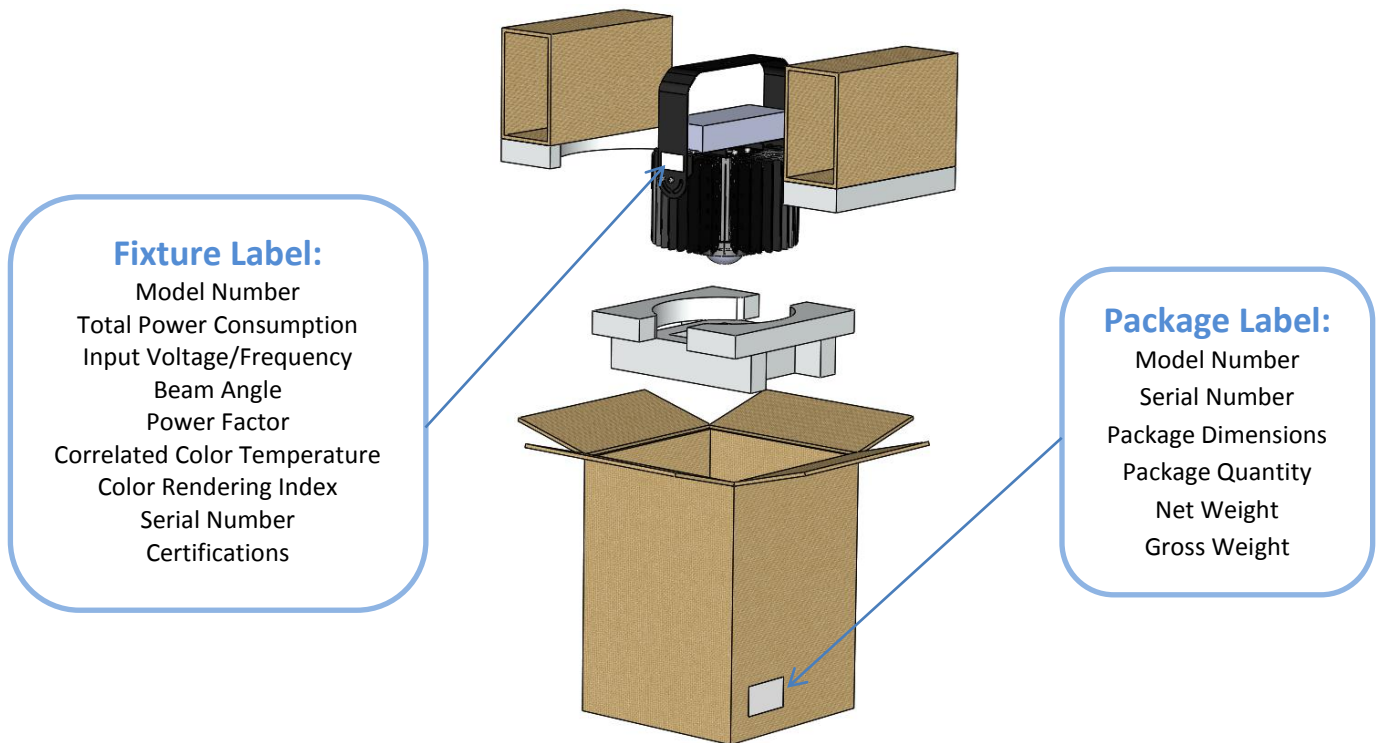
* $T_{amb} = 25\text{ }^{\circ}\text{C}$

* $T_{max} = T_{amb} + \text{Charted Temperature}$

Thermal Resistance vs. Dissipated Power



Packaging and Labeling



Item	S0320L	B0320L
Net Wt.	5.3 kg (11.66 lbs)	4.8 kg (10.56 lbs)
Gross Wt.	6.6 kg (14.52 lbs)	6.1 kg (13.42 lbs)
Package Size (mm)	430 x 320 x 320	
Package Size (in)	16.9 x 12.6 x 12.6	



Powered By



USA Headquarters
 48664 Milmont Drive
 Fremont, CA 94538
 Tel: (800) 766-6097 | (510) 490-7533
 Fax: (510) 490-7931

Canada Sales Office
 2900 Langstaff Road Unit #19
 Vaughan, ON. L4K 4R9, Canada
 Tel: +1 (877) 228-3250
www.starlite-led.com

Taiwan Sales Office
 7F., No.764, Zhongzheng Rd., Zhonghe Dist.
 New Taipei City 235, Taiwan
 Tel: +886-2-2225-1890
 Fax: +886-2-225-1895