

## Features and Benefits

- Cold forged heatsink core with patented Forging Fit Technology capable of passively cooling up to 240W
- Adjustable angle bracket with a 270° allowable swivel, adaptable to various masts and poles
- Compliant with Mean Well 240W PSU
- Equipped with a 90° beam angle lens with a sealed waterproof design
- Record high total light flux and efficiency of a single light source: Flip Chip Opto Luna 300W COB
- Durable surface finish to protect against corrosion and withstand harsh weathering

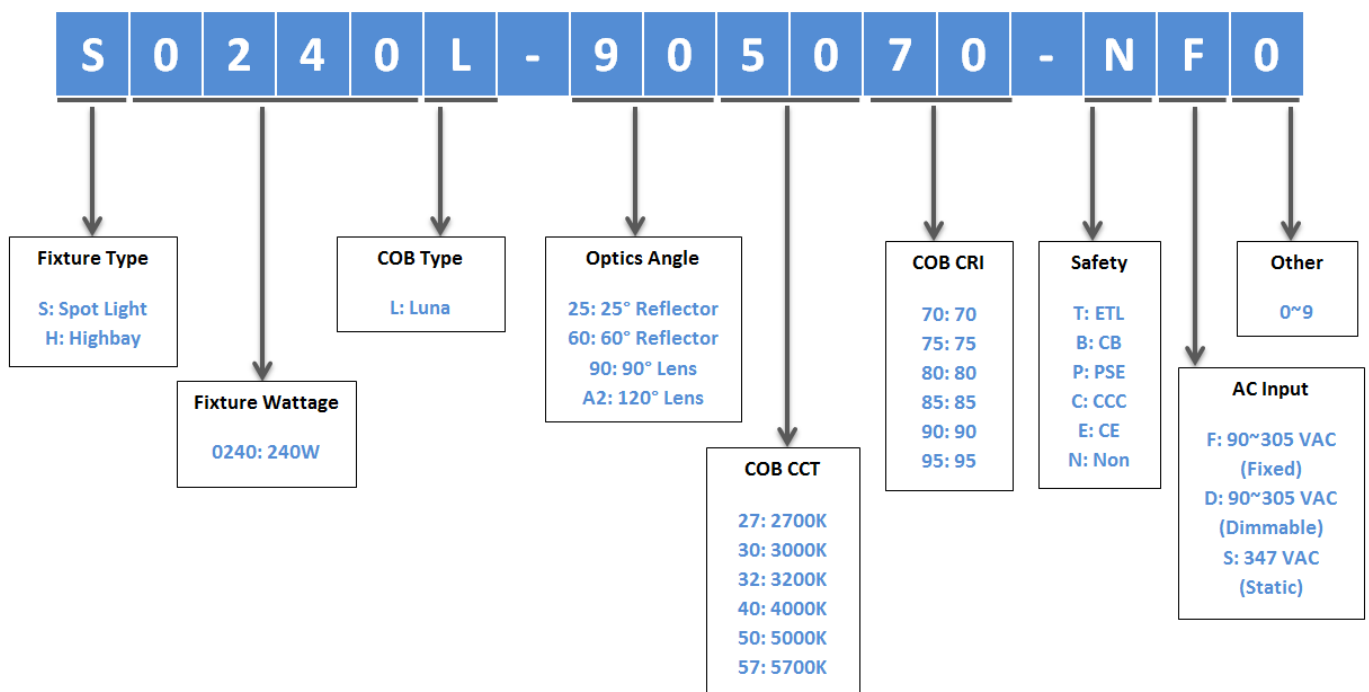


Powered By **FLIP CHIP OPTO**




## Product Specifications

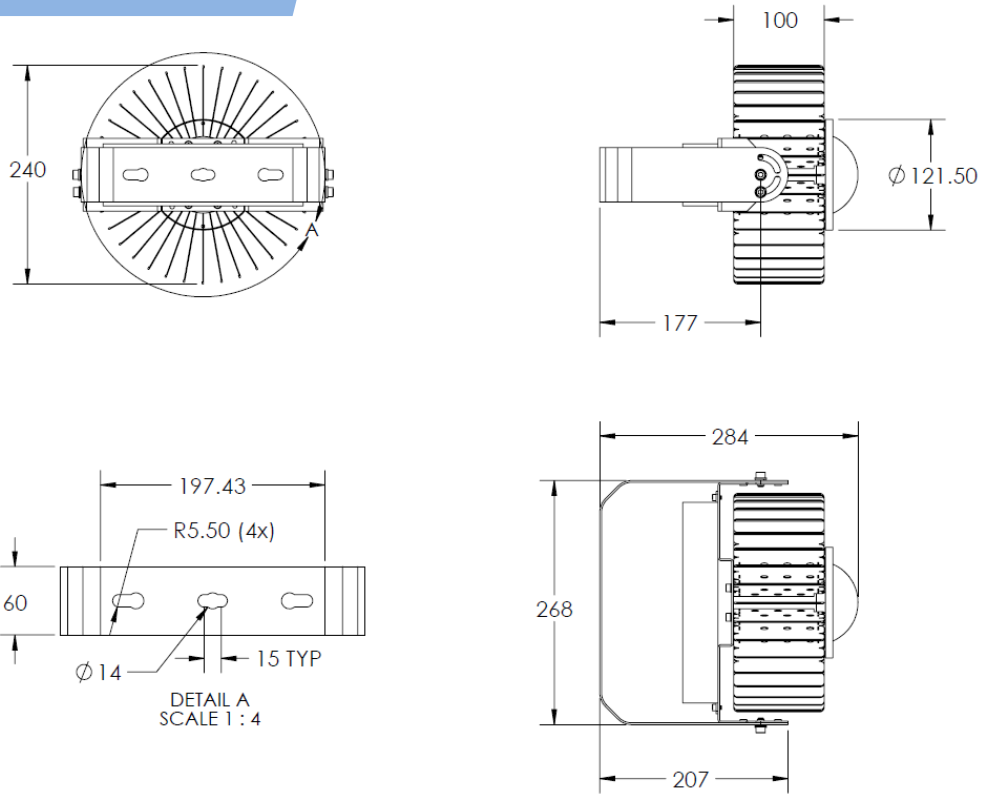
\*Default components and safety rating



## Product Parameters

Mechanical Specifications:			
<b>Dimensions</b>		268 x 240 x 284 mm (10.6" x 9.5" x 11.2")	
<b>Weight</b>		9.1 lbs. (4.14 kg)	
<b>Material</b>	Heatsink Core		Al 1070
	Fins		Al 1050
	Lens		Tempered Glass
	Brackets		Iron / 304 SS
<b>Surface Finish</b>	<b>Part</b>	<b>Process</b>	<b>Color Options</b>
	Heatsink	Electrophoretic Deposition (EPD)	Black
	Brackets	Powder Coating	Black
	Reflector	Anodizing / Powder Coating	Silver / Black
Electrical Specifications:			
<b>Input Voltage Range</b>		90 - 305 VAC	
<b>Drive Current</b>		5.0 A	
<b>Output Voltage</b>		48 VDC	
<b>Power Factor</b>		0.98 @ 115 VAC	
<b>Operation Temperature</b>		-40°C to 70°C (-40°F to 158°F)	
Optical Specifications:			
<b>Light Source</b>		Flip Chip Opto "Luna 300W" COB	
<b>Luminous Flux</b>		27448 lm @ CCT: 5000K, CRI: 70 26624 lm @ CCT: 4000K, CRI: 70 24154 lm @ CCT: 3000K, CRI: 80	
<b>Light Efficacy</b>		117.3 lm/W @ CCT: 5000K, CRI: 70 113.8 lm/W @ CCT: 4000K, CRI: 70 103.2 lm/W @ CCT: 3000K, CRI: 80	
<b>CRI</b>		70 – 95+	
<b>CCT</b>		3,000K / 4,000K / 5,000K	
<b>Light Color</b>		Warm White / Neutral White / Cool White	
Rating Specifications:			
<b>Protection Rating</b>		IP 65 (IP67 for optional PSU model)	
<b>Lifespan</b>		50,000 Hours	
<b>Warranty</b>		5 Years	
<b>Certifications</b>			

## Mechanical Dimensions



\*All dimensions are in mm

## Optional Components



25° Reflector



60° Reflector



120° Lens



Hook Mount  
Highbay Bracket Assembly – B0240L

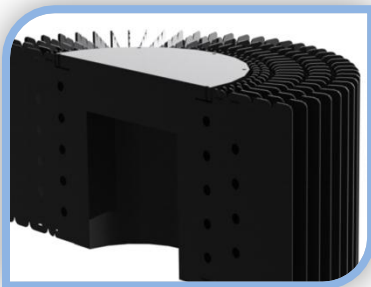
\*For additional information regarding optical components, contact Starlite sales

### Fixture Breakdown



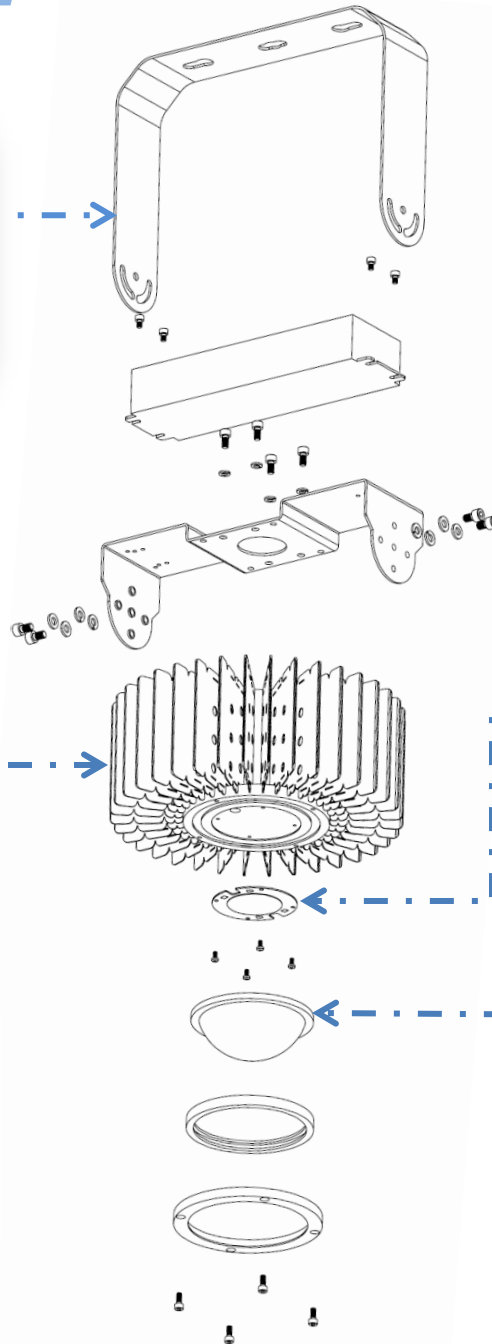
#### Mounting Bracket

Stamped iron mounting brackets allow for quick orientation positioning and adaptability for tower/wall mounting and mobile/stationary units.



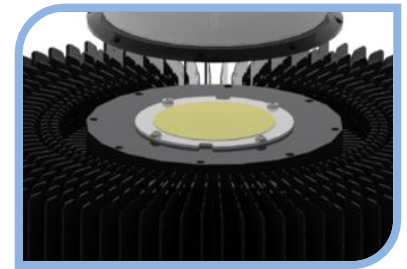
#### Heatsink Forging Fit Design

Comprised of a pure aluminum column, the unibody cold forged heatsink utilizes patented forging fit technology for fin insertion and allowing maximum thermal heat dissipation.



#### Optical Lens + Sealed Design

The lens assembly contains a domed glass lens with a high transparency rate for minimal obstruction of the lumen output. The sealing gasket achieves the protection rating of IP65/66 to protect against different environmental conditions.



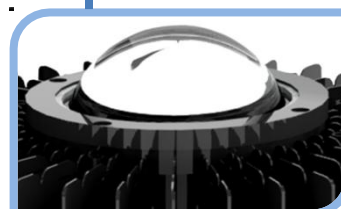
#### Surface Finish

Consisting of an Electrophoretic Deposition (EPD) finish, the film coating provides uniform thickness and strong adhesion to protect against corrosion and mechanical stress.

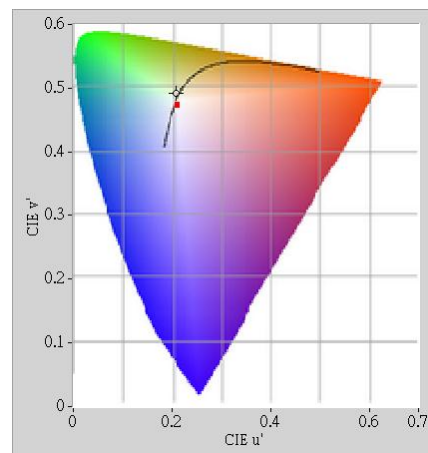
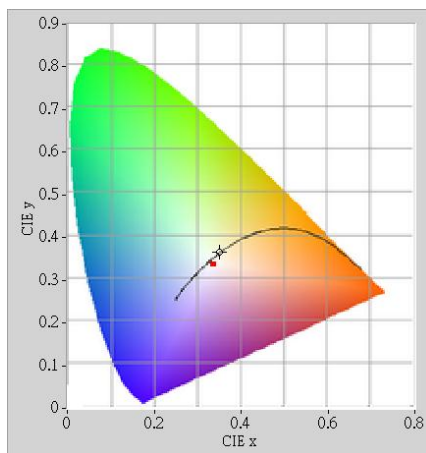
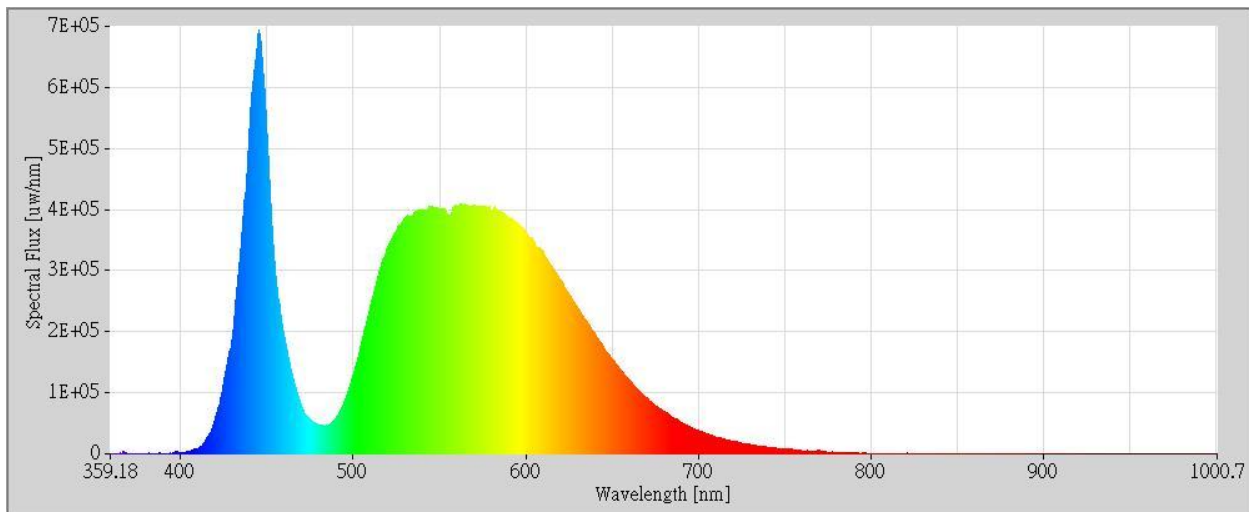


#### Luna 300W COB

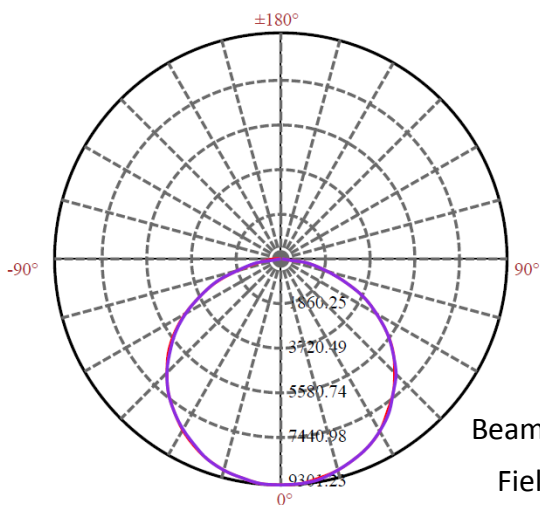
The single light source COB from Flip Chip Opto uses their proprietary low temperature bonding technology achieving a low thermal resistance of 0.1 C°/W. For detailed specs: <http://www.fcopto.com/luna-series/>



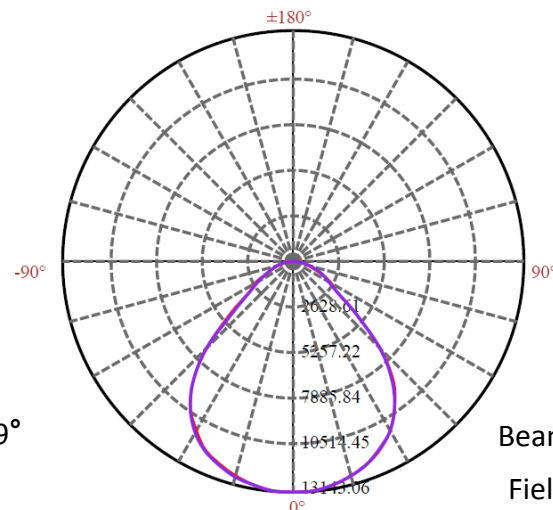
## Photometric Performance



## Polar Luminous Intensity Distribution

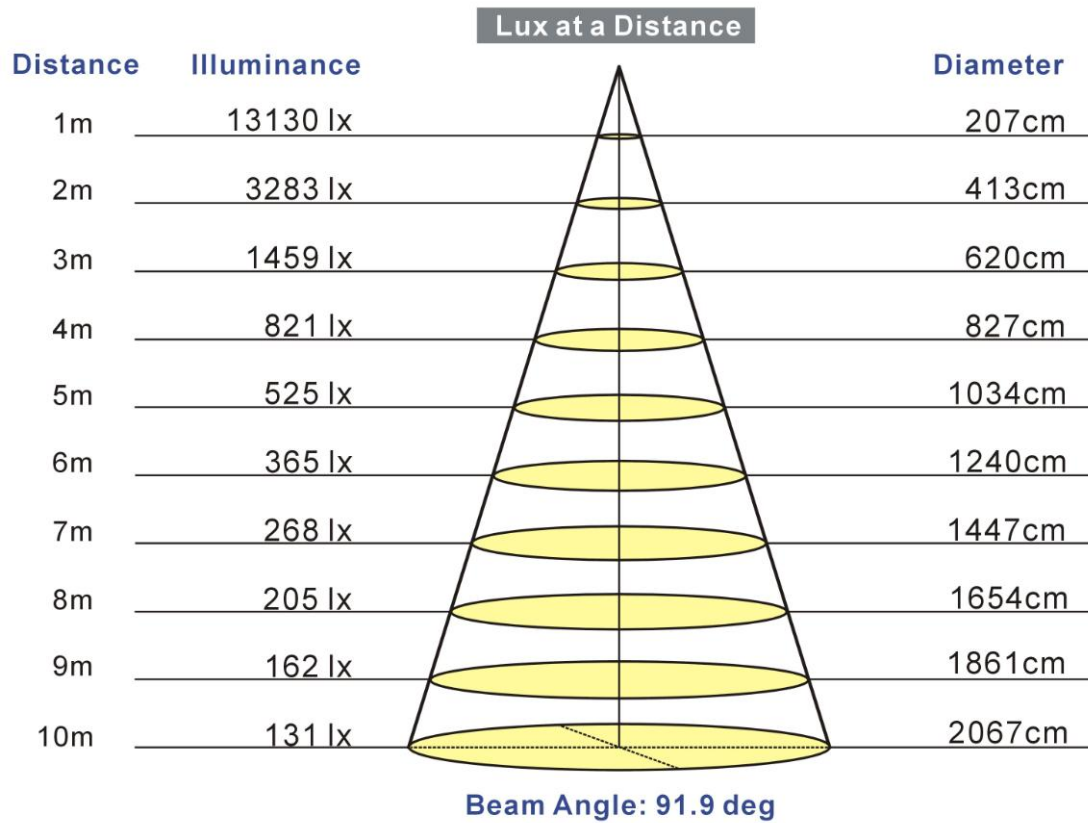


**No Lens**  
Beam Angle: 119.09°  
Field Angle: 162°

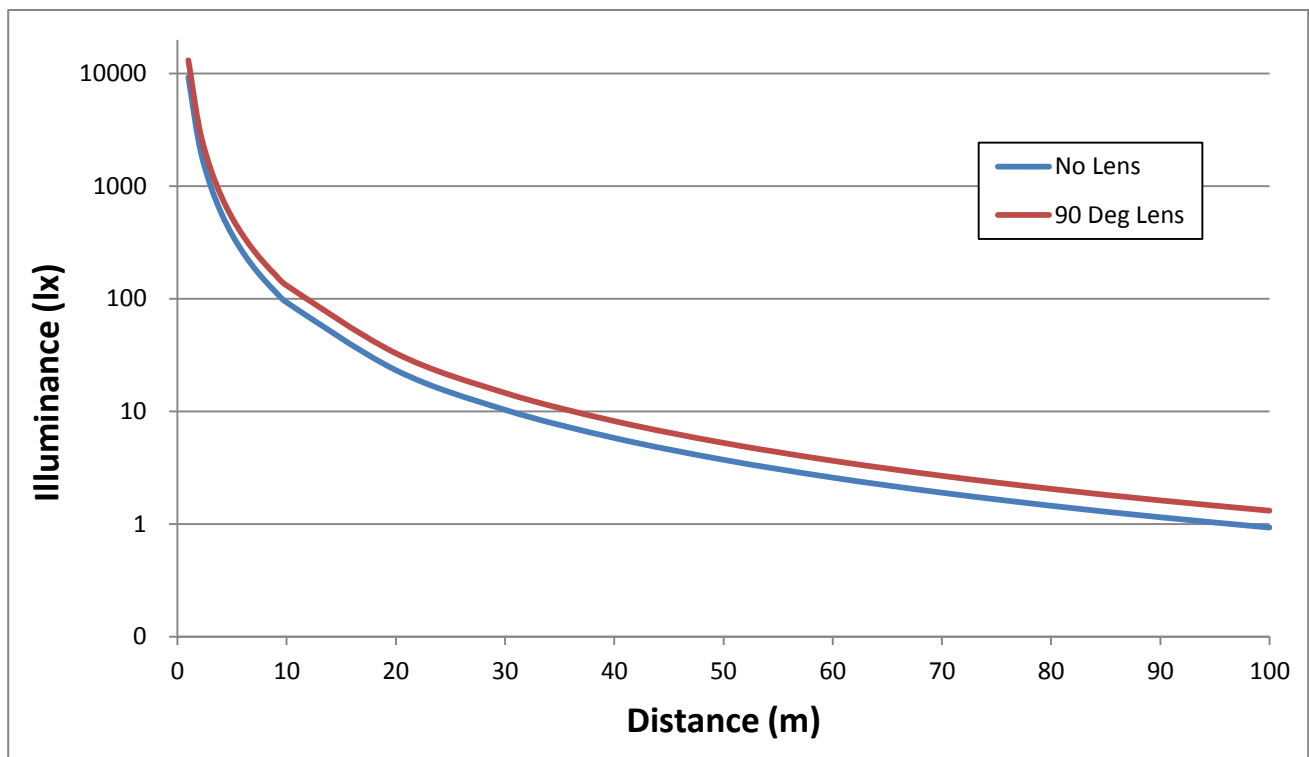


**90° Lens**  
Beam Angle: 91.9°  
Field Angle: 139°

### Illuminance Cone Diagram

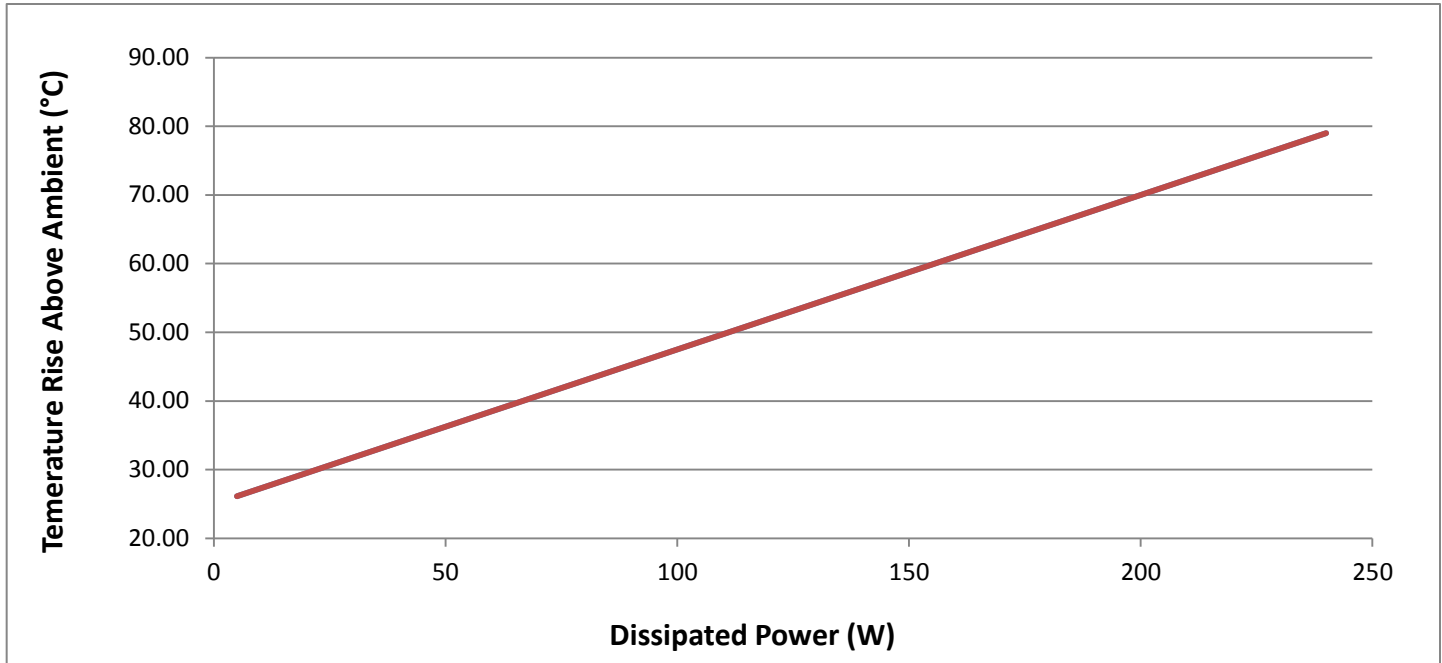


### Illuminance vs. Distance



### Thermal Performance

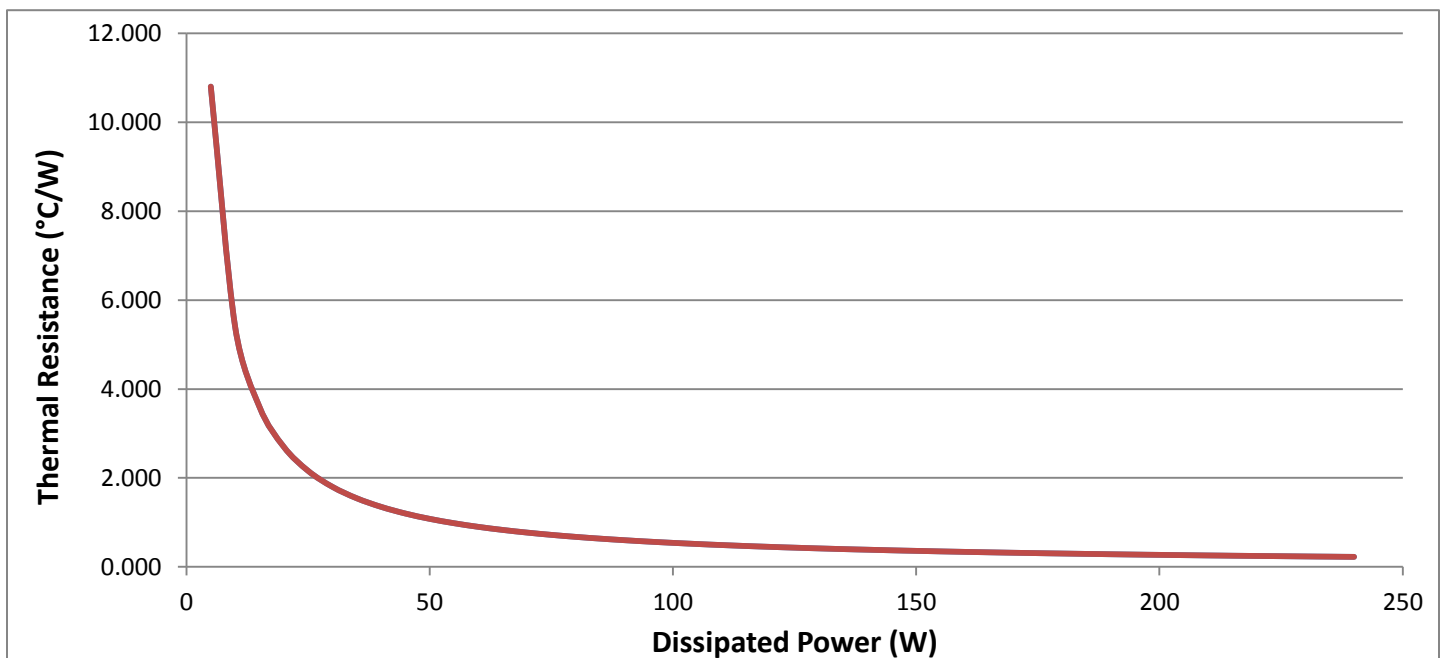
#### Temp Rise Above Ambient vs. Dissipated Power



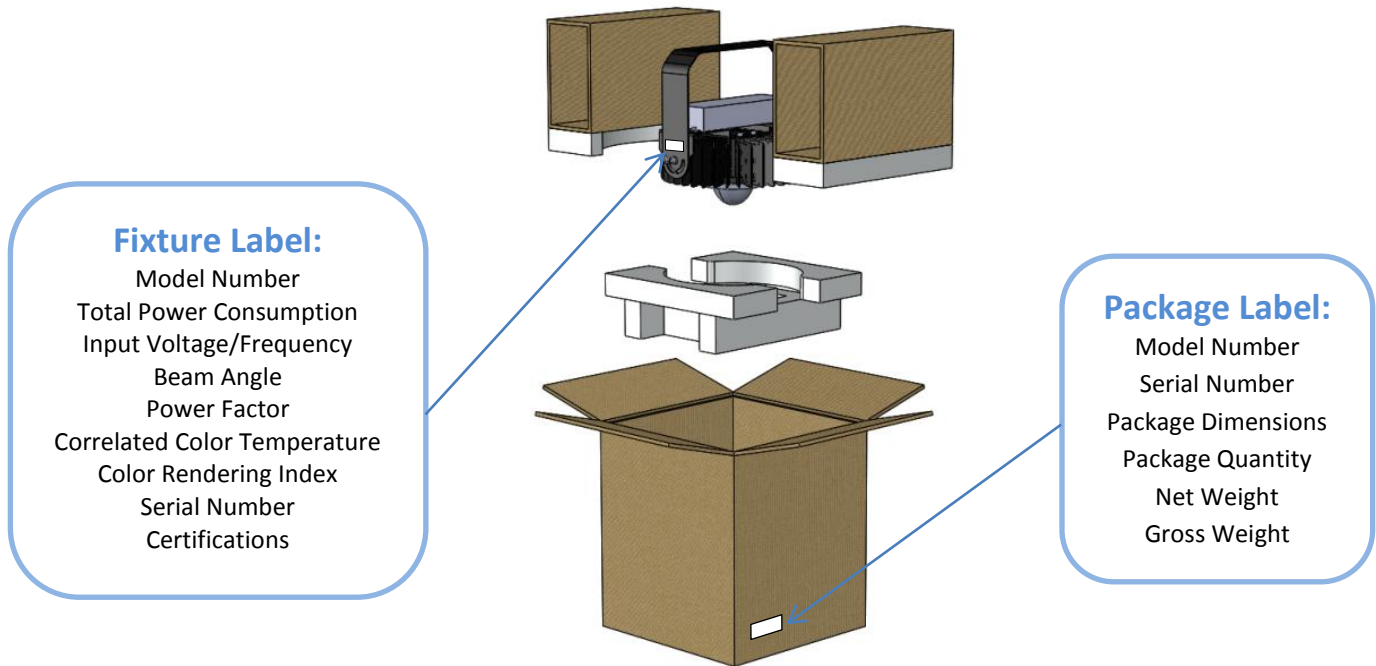
\*  $T_{amb} = 25\text{ }^{\circ}\text{C}$

\*  $T_{max} = T_{amb} + \text{Charted Temperature}$

#### Thermal Resistance vs. Dissipated Power



## Packaging and Labeling



Item	S0240L	B0240L
Net Wt.	4 kg (8.8 lbs)	3.6 kg (7.92 lbs)
Gross Wt.	5.2 kg (11.44 lbs)	4.8 kg (10.56 lbs)
Package Size (mm)	375 x 320 x 320	
Package Size (in)	14.8 x 12.6 x 12.6	



USA Headquarters  
48664 Milmont Drive  
Fremont, CA 94538  
Tel: (800) 766-6097 | (510) 490-7533  
Fax: (510) 490-7931

Canada Sales Office  
2900 Langstaff Road Unit #19  
Vaughan, ON. L4K 4R9, Canada  
Tel: +1 (877) 228-3250  
[www.starlite-led.com](http://www.starlite-led.com)

Taiwan Sales Office  
7F., No.764, Zhongzheng Rd., Zhonghe Dist.  
New Taipei City 235, Taiwan  
Tel: +886-2-2225-1890  
Fax: +886-2-225-1895