

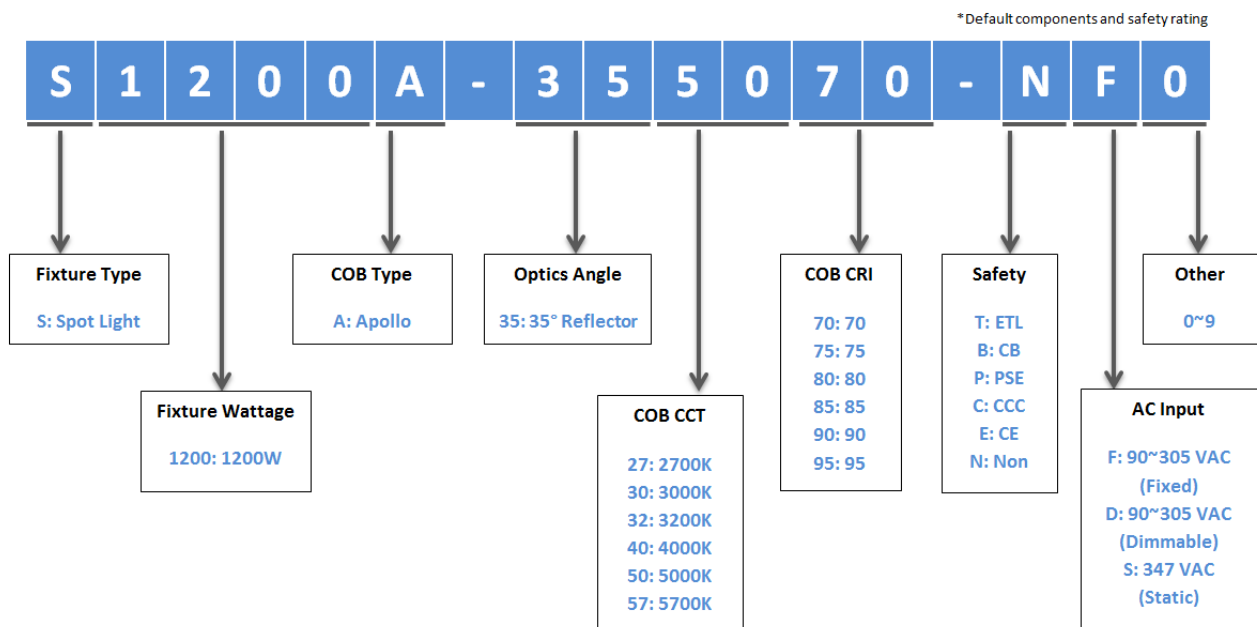
Features and Benefits

- Cold forged heatsink core with patented Forging Fit Technology capable of passively cooling up to 1200W
- Adjustable angle bracket with a 270° allowable swivel, adaptable to various masts and poles
- Compliant with Mean Well 600W PSU (2x)
- Equipped with a 35° spotlight reflector and tempered glass lens with a waterproof sealed design
- Copper heat pipes used to rapidly transfer heat from light engine to heatsink using liquid to vapor phase change
- Record high total light flux and efficiency of a single light source: Flip Chip Opto Apollo 2400W COB
- Durable surface finish to protect against corrosion and withstand harsh weathering



Powered By  **FLIP CHIP OPTO**

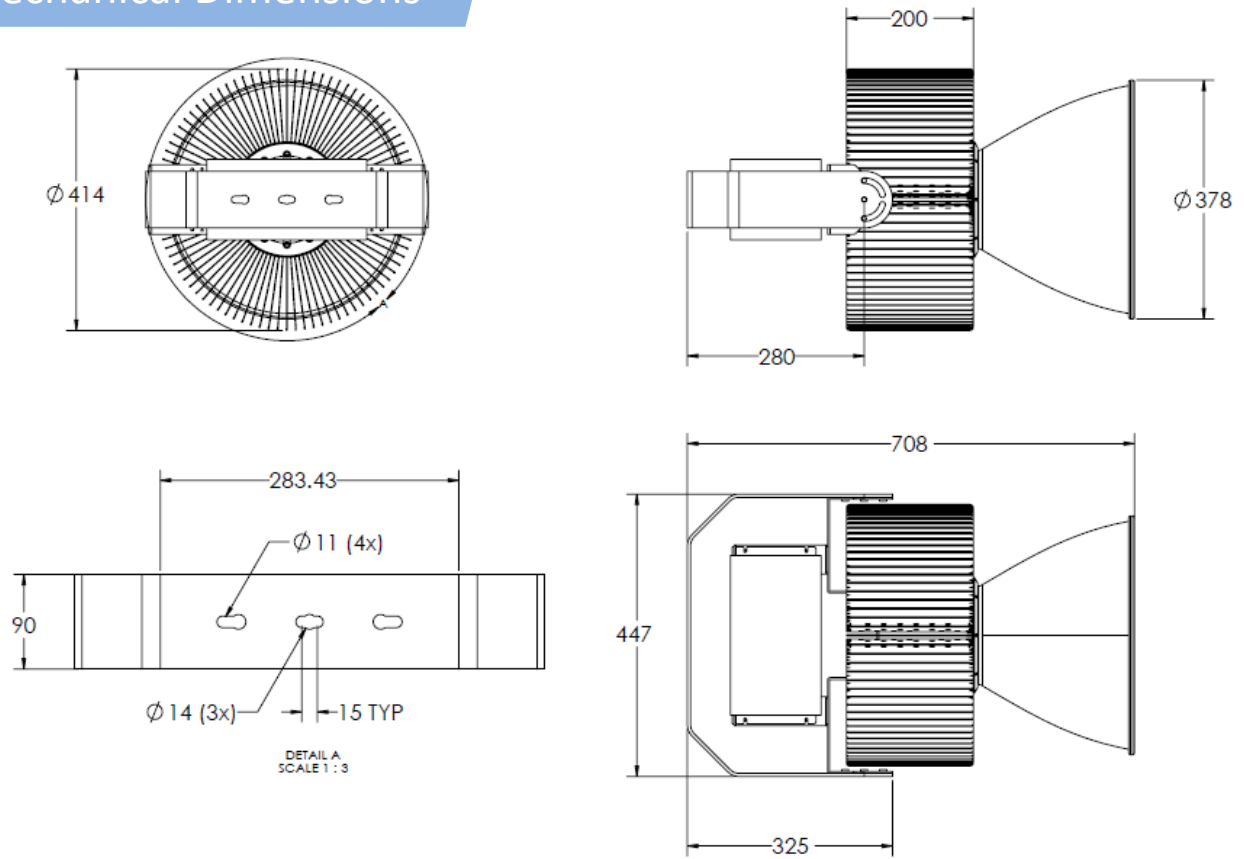
Product Specifications



Product Parameters

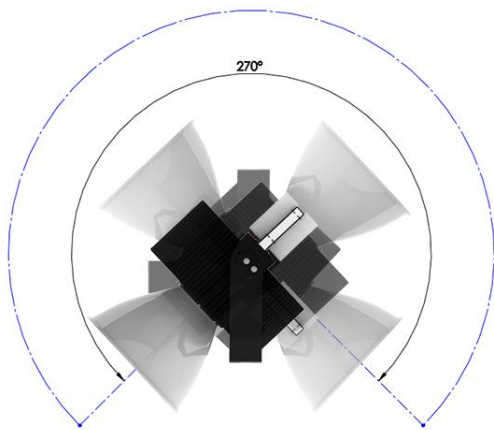
Mechanical Specifications:			
Dimensions		447 x 414 x 709 mm (17.6" x 16.3" x 27.9")	
Weight		56.1 lbs. (25.5 kg)	
Material	Heatsink Core		Al 1070
	Fins		Al 1050
	Reflector		Al 1090
	Lens		Tempered Glass
	Brackets		Iron / 304 SS
Surface Finish	Part	Process	Color Options
	Heatsink	Electrophoretic Deposition (EPD)	Black
	Brackets	Powder Coating	Black
	Reflector	Anodizing / Powder Coating	Silver / Black
Electrical Specifications:			
Input Voltage		90 - 305 VAC	
Drive Current		11.2 A	
Output Voltage Range		54 VDC	
Power Factor		0.98 @ 115 VAC	
Operation Temperature		-40°C to 70°C (-40°F to 158°F)	
Optical Specifications:			
Light Source		Flip Chip Opto "Apollo 2400" COB	
Luminous Flux		113458 lm @ CCT: 5000K, CRI: 70 110054 lm @ CCT: 4000K, CRI: 70 99843 lm @ CCT: 3000K, CRI: 80	
Light Efficacy		99.4 lm/W @ CCT: 5000K, CRI: 70 96.4 lm/W @ CCT: 4000K, CRI: 70 87.5 lm/W @ CCT: 3000K, CRI: 80	
CRI		70 – 95+	
CCT		2,700K/ 3,000K/ 3,200K/ 4,000K / 5,000K/ 5600K	
Light Color		Warm White / Neutral White / Cool White	
Rating Specifications:			
Protection Rating		IP 65 (IP67 for optional PSU model)	
Lifespan		50,000 Hours	
Warranty		5 Years	
Certifications			

Mechanical Dimensions



*All dimensions are in mm

Fixture Orientation



270° Rotation



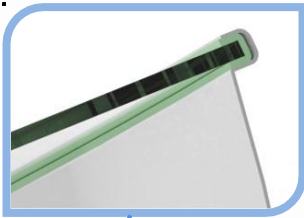
Upward and Downward Orientation

Note: For optimal performance, orientation facing down is recommended.

Fixture Breakdown

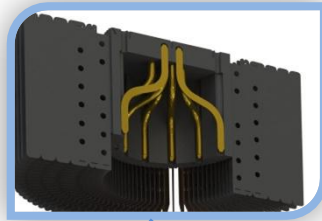
Secondary Optics + Sealed Design

The reflector housing contains a 4mm tempered glass lens with a transparency rate of 95% for minimal obstruction of the lumen output. The sealing gasket achieves the protection rate of IP65/66 to protect against different environmental conditions.



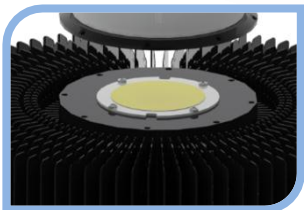
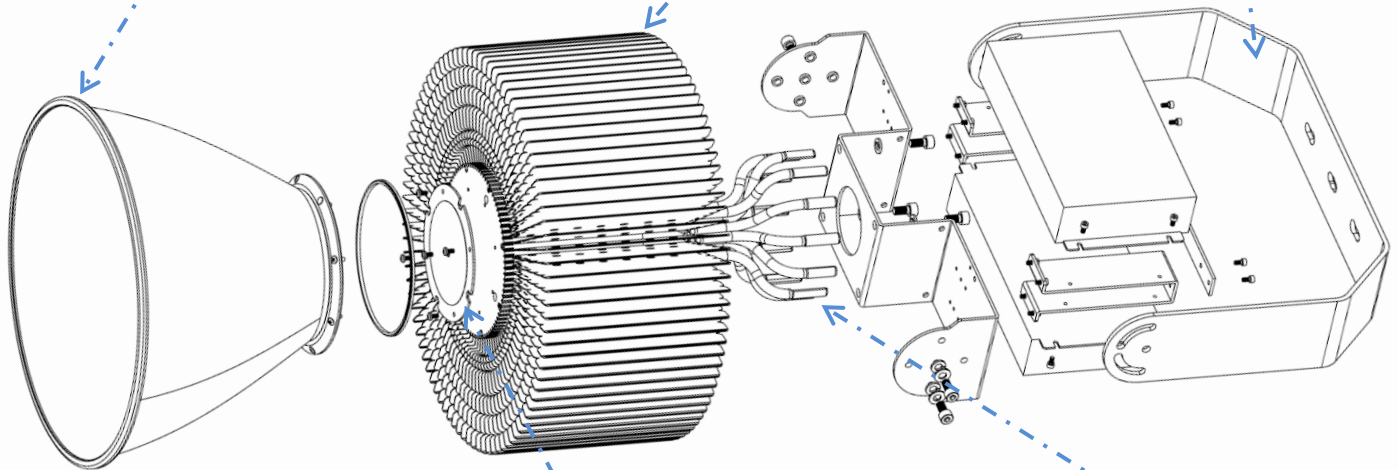
Heatsink Forging Fit Design

Comprised of a pure aluminum column, the unibody cold forged heatsink utilizes patented forging fit technology for fin insertion and allowing maximum thermal heat dissipation.



Mounting Bracket

Stamped stainless steel mounting brackets allow for quick orientation positioning and adaptability for tower/wall mounting and mobile/stationary



Surface Finish

Consisting of an Electrophoretic Deposition (EPD) finish, the film coating provides uniform thickness and strong adhesion to protect against corrosion and mechanical stress.



Apollo 2400W COB

The single light source COB from Flip Chip Opto uses their proprietary 3-pad thermal pillar achieving an incredibly low thermal resistance of 0.003 C°/W.

For detailed specs:

<http://www.fcopto.com/apollo-series/>

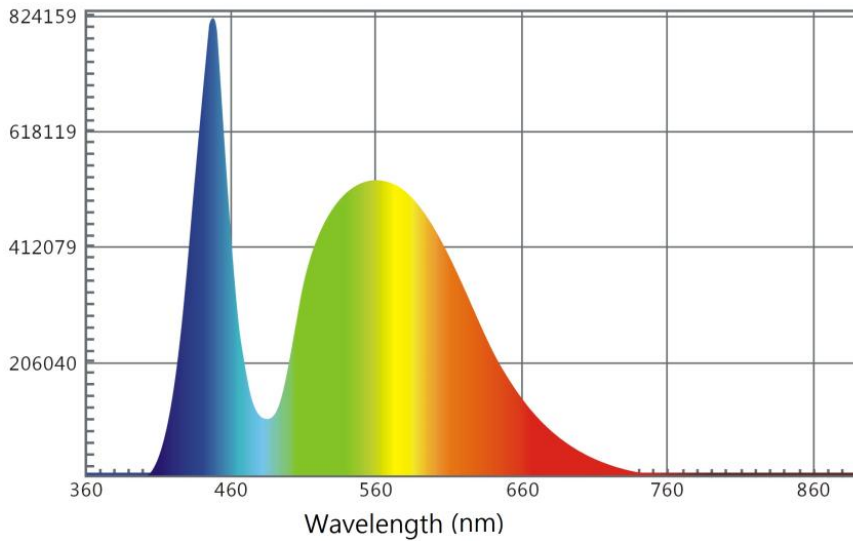


Copper Heat Pipes

For efficient heat transfer from light engine to heatsink, copper heat pipes are utilized to lower junction temperature and maintain maximum lumen output for optimal performance.

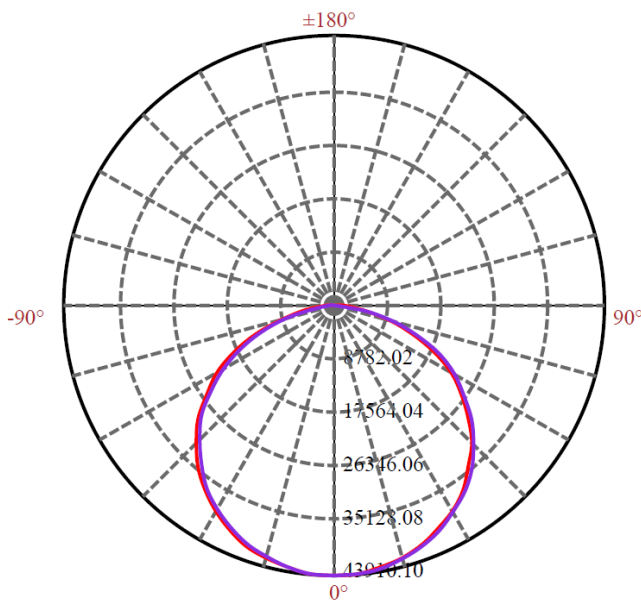
Photometric Performance

Spectral Flux ($\mu\text{W}/\text{nm}$)

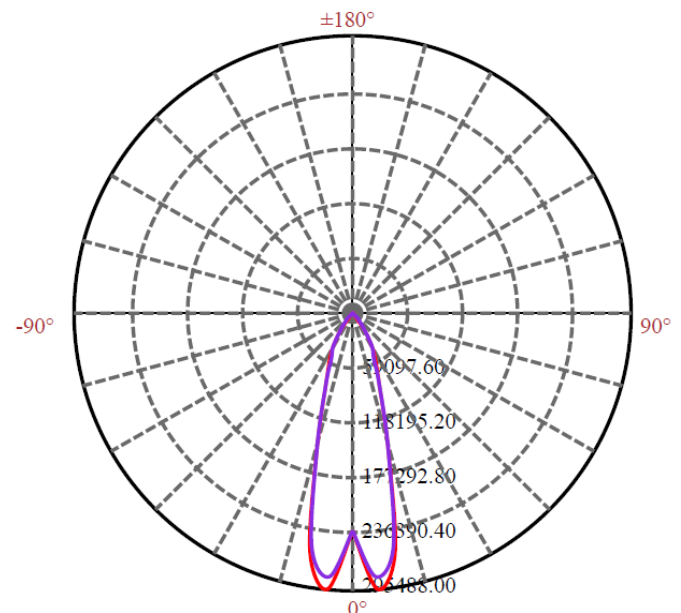


CCT	5443
CIE_x	0.3339
CIE_y	0.3425
CIE_u	0.2073
CIE_v	0.4785
CRI	73.11

Polar Luminous Intensity Distribution

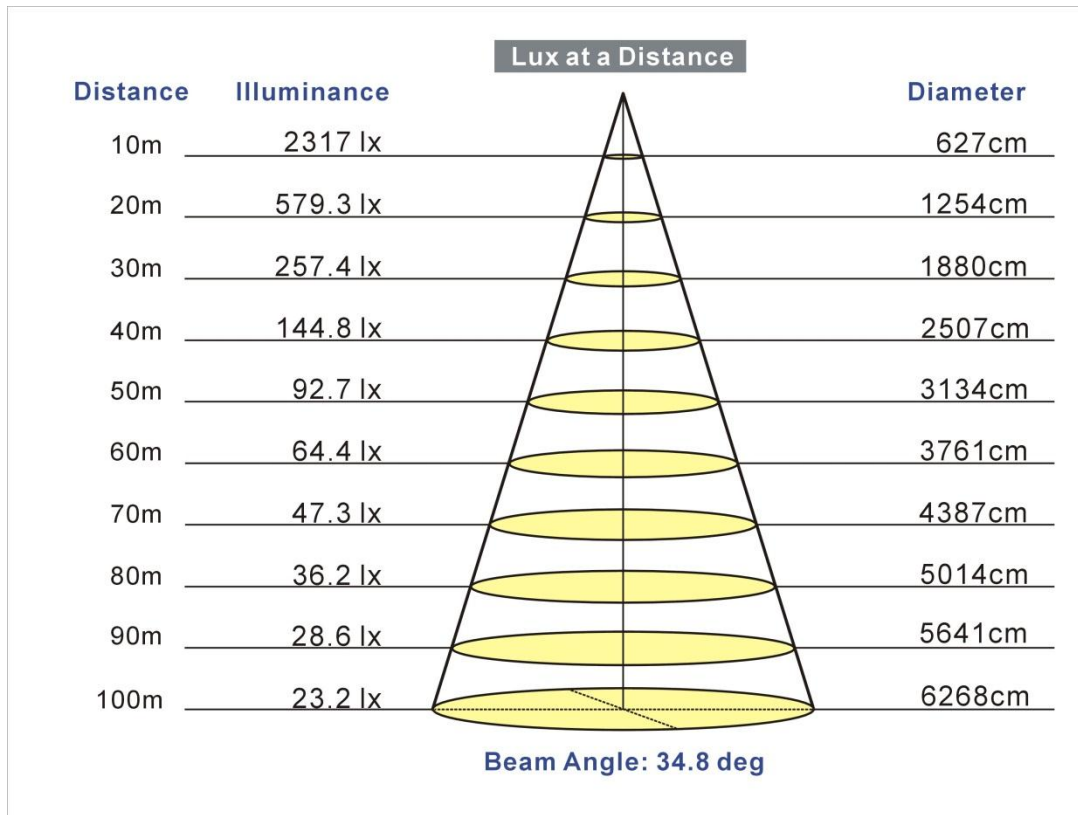


No Reflector
Beam Angle: 120°
Field Angle: 162°

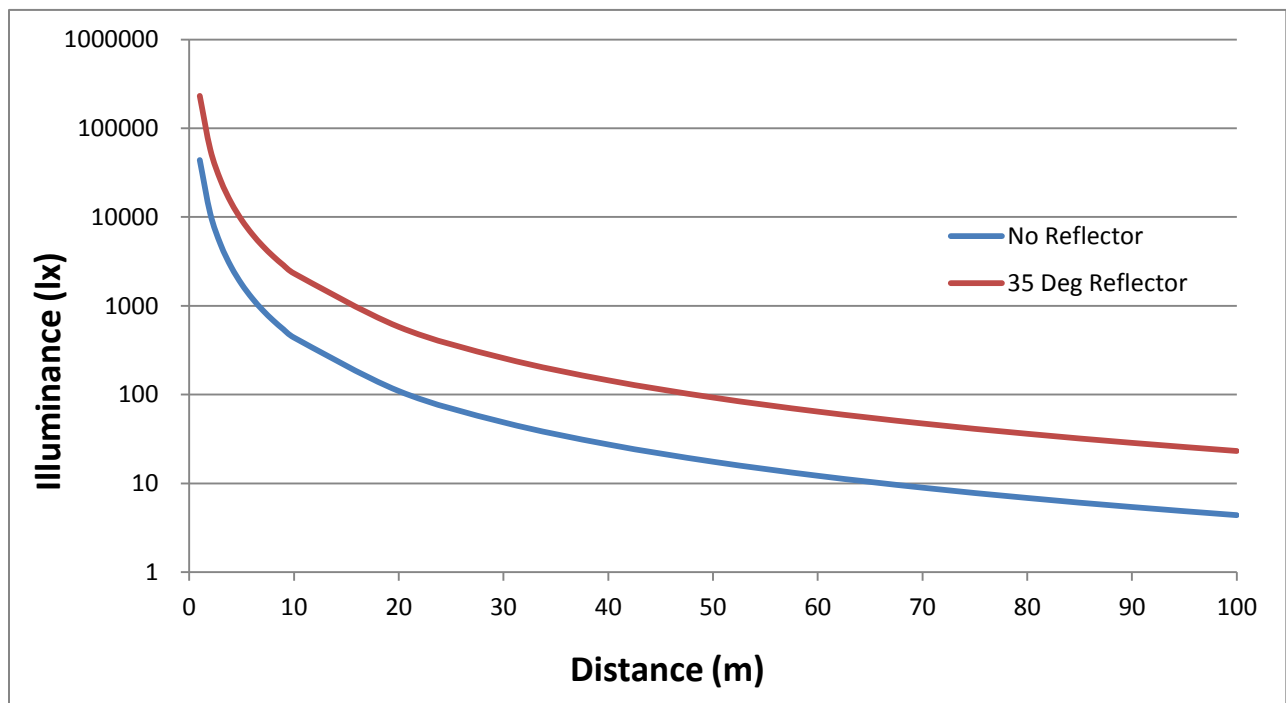


35° Reflector
Beam Angle: 34.8°
Field Angle: 70°

Illuminance Cone Diagram

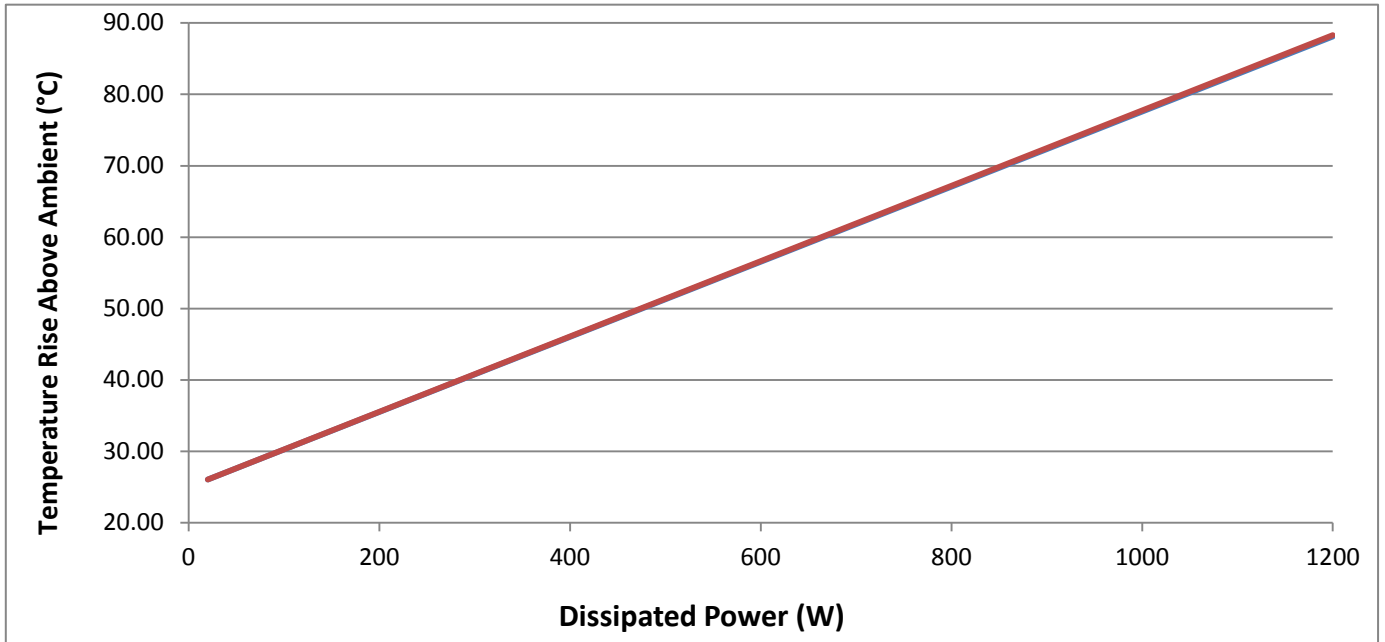


Illuminance vs. Distance



Thermal Performance

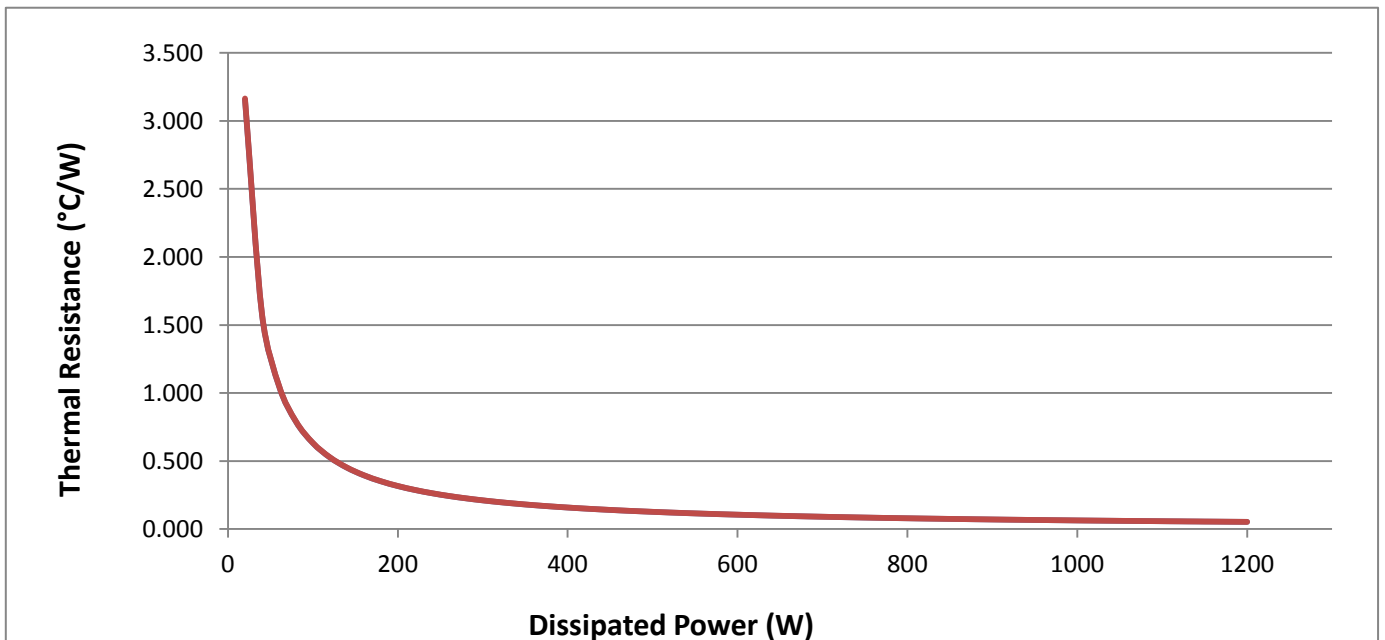
Temp Rise Above Ambient vs. Dissipated Power



* $T_{amb} = 25\text{ }^{\circ}\text{C}$

* $T_{max} = T_{amb} + \text{Charted Temperature}$

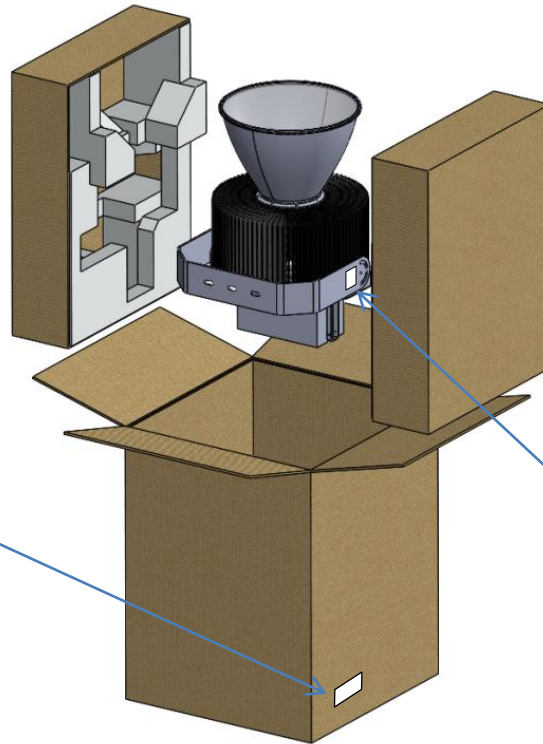
Thermal Resistance vs. Dissipated Power



Helios Series

S1200A | 1200W Lighting Fixture

Packaging and Labeling



Package Label:

Model Number
Serial Number
Package Dimensions
Package Quantity
Net Weight
Gross Weight

Fixture Label:

Model Number
Total Power Consumption
Input Voltage/Frequency
Beam Angle
Power Factor
Correlated Color Temperature
Color Rendering Index
Serial Number
Certifications

Item	S1200A
Net Wt.	25.4 kg (55.88 lbs)
Gross Wt.	31.3 kg (68.86 lbs)
Package Size (mm)	770 x 609 x 586
Package Size (in)	30.3 x 24.0 x 23.1



Powered By



USA Headquarters
48664 Milmont Drive
Fremont, CA 94538
Tel: (800) 766-6097 | (510) 490-7533
Fax: (510) 490-7931

Canada Sales Office
2900 Langstaff Road Unit #19
Vaughan, ON. L4K 4R9, Canada
Tel: +1 (877) 228-3250
www.starlite-led.com

Taiwan Sales Office
7F., No.764, Zhongzheng Rd., Zhonghe Dist.
New Taipei City 235, Taiwan
Tel: +886-2-2225-1890
Fax: +886-2-225-1895

©2016 Starlite Inc. All rights reserved. Information pertaining to Starlite products is subject to change without notice. Other trademarks seen in this document are the property of their respective owners.